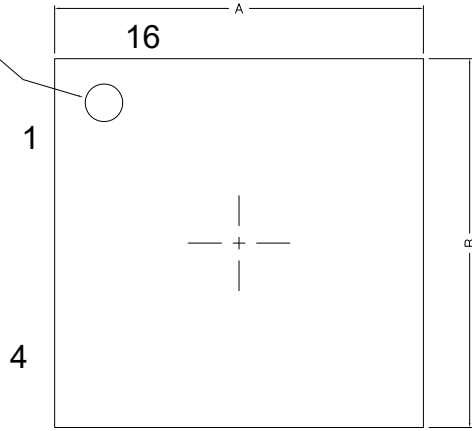
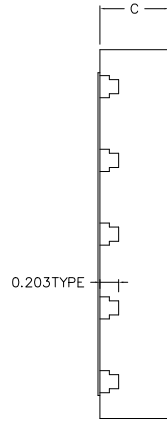


REVERSION	REVERSION RECORD	DATE	NAME
A	NEW DRAW	2021/12/08	ChenYJ
B	ADD PLATING LAYER DIMENSION	2022.7.21	ChenYJ

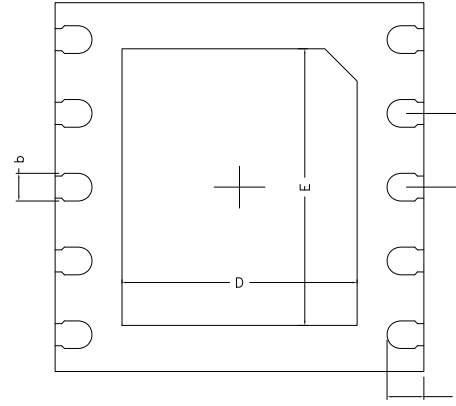
Pin1 ID LASER MARK



TOP VIEW

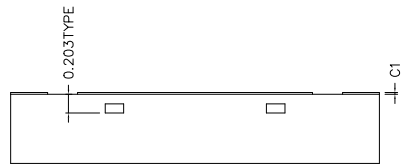


SIDE VIEW



BOTTEM VIEW

COMMON DIMENSIONS (UNITS OF MEASURE IS mm)			
	MIN	NORMAL	MAX
A	3.900	4.000	4.100
B	3.900	4.000	4.100
C	0.700	0.750	0.800
C1	0.005	-	0.020
D	2.500	2.550	2.600
E	2.950	3.000	3.050
L	0.350	0.400	0.450
b	0.250	0.300	0.350
e	0.800 TYPE		



SIDE VIEW



深圳市金誉半导体股份有限公司  
SHENZHEN JINYU SEMICONDUCTOR CO.,LTD

DFN4x4-10L 0.75T  
0.80 PITCH

THIRD ANGLE PROJECTION				SCALE	1:1	UNIT	mm
TOLERANCE				APPROVALS		DATE	
0	0.0	0.00	0.000	DESIGNER	ChenYJ	2022.7.21	
				CHECKER	XieWH	2022.7.21	
				APPROVER	LinHB	2022.7.21	

DRG NO.	JY-POD-58	REV: B
FILE NO.	JY-RE-022-58	SHEET:1 OF 1