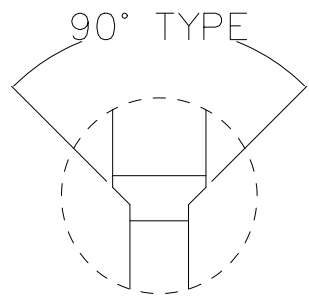
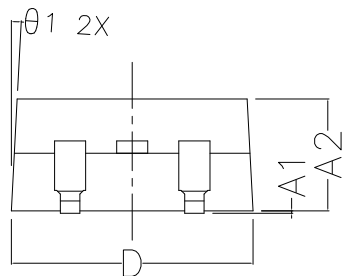


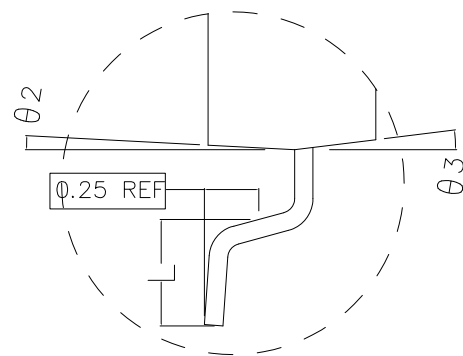
| REVERSION | REVERSION RECORD | DATE | NAME |
|-----------|----------------------------|-----------|--------|
| A | NEW DRAW | 2019/1/12 | Kang |
| B | UPDATE 'E1' 'L4' DIMENSION | 2021/7/7 | ChenYJ |
| | | | |



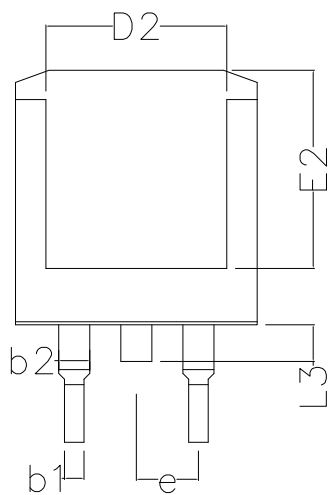
DETAIL F



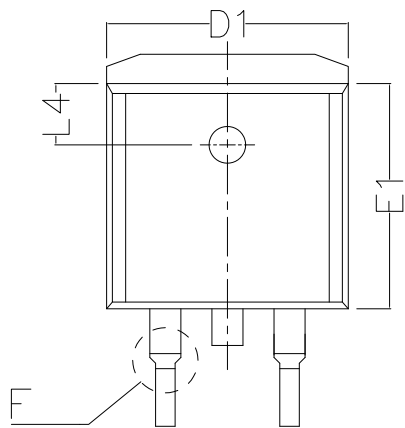
SIDE VIEW



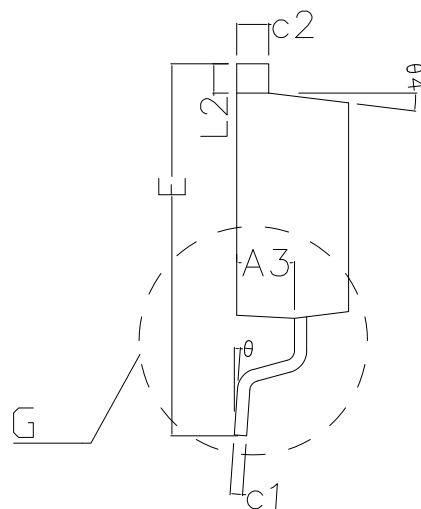
DETAIL G



BOTTOM VIEW



TOP VIEW



SIDE VIEW

COMMON DIMENSIONS
(UNITS OF MEASURE IS mm)

| | MIN | NORMAL | MAX |
|---------|-----------|--------|--------|
| A1 | 0.020 | 0.100 | 0.200 |
| A2 | 4.470 | 4.570 | 4.670 |
| A3 | 2.300 | 2.350 | 2.400 |
| b1 | 0.750 | 0.800 | 0.850 |
| b2 | 1.220 | 1.270 | 1.320 |
| c1 | 0.450 | 0.500 | 0.550 |
| c2 | 1.250 | 1.300 | 1.350 |
| D | 9.900 | 10.000 | 10.100 |
| D1 | 9.880REF | | |
| D2 | 7.400REF | | |
| E | 14.900 | 15.100 | 15.300 |
| ▲E1 | 9.000 | 9.100 | 9.200 |
| E2 | 8.100REF | | |
| e | 2.540TYPE | | |
| L | 2.100 | 2.300 | 2.500 |
| L2 | 1.100 | 1.200 | 1.300 |
| L3 | 1.300 | 1.500 | 1.700 |
| ▲L4 | 2.50 TYPE | | |
| theta 1 | 3° TYPE | | |
| theta 2 | 3° TYPE | | |
| theta 3 | 7° TYPE | | |
| theta 4 | 7° TYPE | | |
| theta | 0 ~ 8° | | |



深圳市金誉半导体股份有限公司
SHENZHEN JINYU SEMICONDUCTOR CO.,LTD

| | | | | | | | |
|----------------------------|-----|------|-------|-----------|--------|------------|----|
| THIRD ANGLE PROJECTION | | | | SCALE | 1:1 | UNIT | mm |
| TOLERANCE | | | | APPROVALS | | DATE | |
| 0 | 0.0 | 0.00 | 0.000 | DESIGNER | ChenYJ | 2021.07.07 | |
| | | | | CHECKER | XieWH | 2021.07.07 | |
| | | | | APPROVER | LinHB | 2021.07.07 | |

T0-263

| | | |
|----------|--------------|--------------|
| DRG NO. | JY-POD-19 | REV: B |
| FILE NO. | JY-RE-022-19 | SHEET:1 OF 1 |