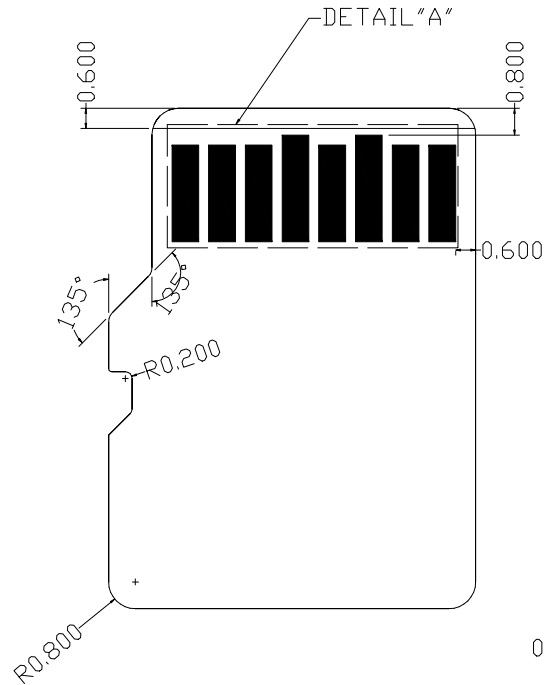
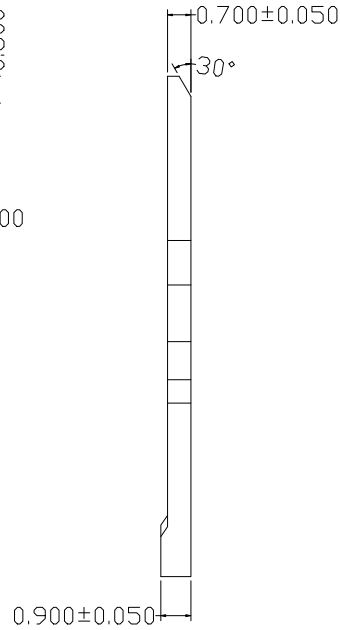


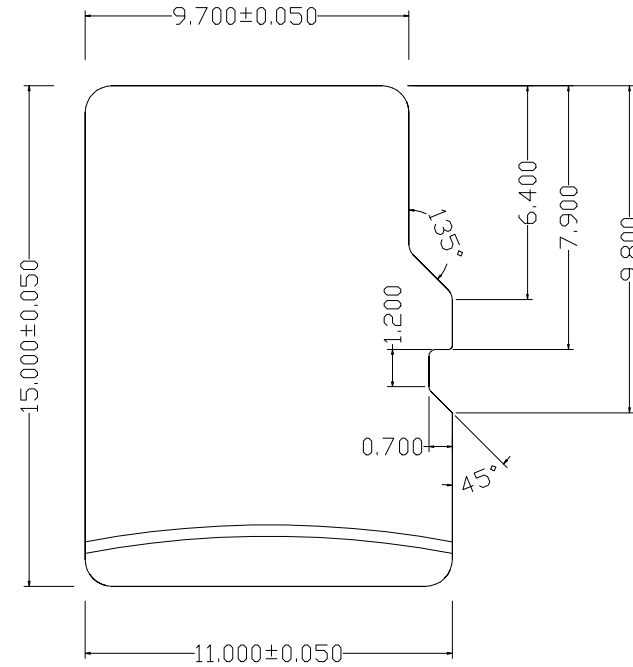
REVERSION	REVERSION RECORD	DATE	NAME
A	NEW DRAW	2023.5.23	YJ Chan



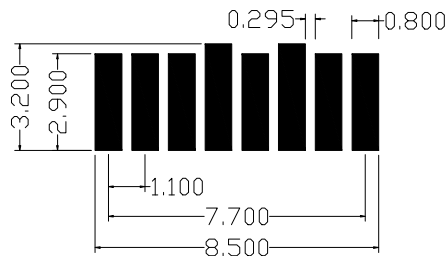
**BOTTEM VIEW**



**SIDE VIEW**



**TOP VIEW**



**DETAIL A**

**Note:** 所有标注尺寸为典型值



深圳市金誉半导体股份有限公司  
SHENZHEN JINYU SEMICONDUCTOR CO.,LTD

THIRD ANGLE PROJECTION				SCALE	1:1	UNIT	mm	APPROVALS		DATE
TOLERANCE				DESIGNER	ChenYJ	DATE		TF (Micro SD)		
0	0.0	0.00	0.000	CHECKER	XieWH	2023.5.23		DRG NO.	JY-POD-72	REV: A
				APPROVER	LinHB	2023.5.23		FILE NO.	JY-RE-022-72	SHEET:1 OF 1