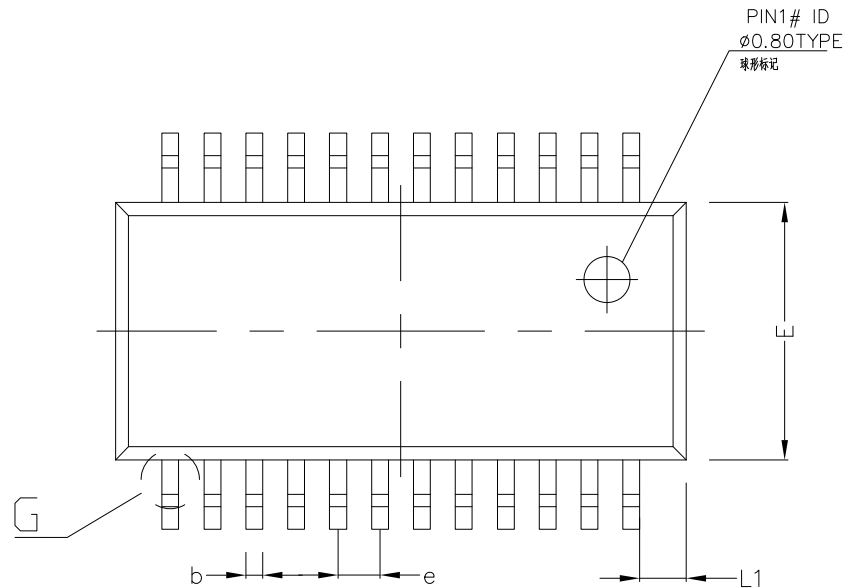
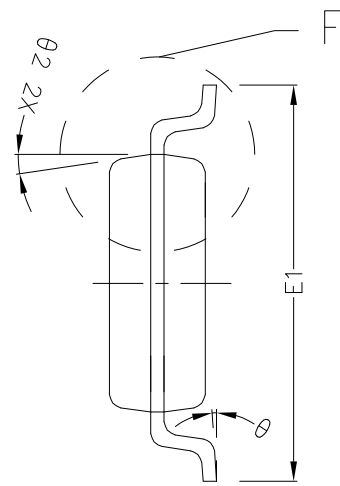


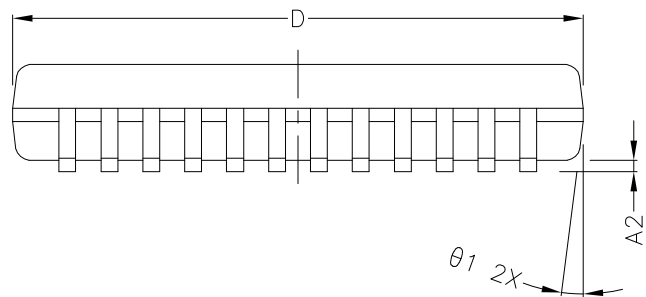
REVERSION	REVERSION RECORD	DATE	NAME
A	NEW DRAW	2019/1/12	Kang
B	UPDATE 'A2' DIMENSION	2021/7/7	ChenYJ



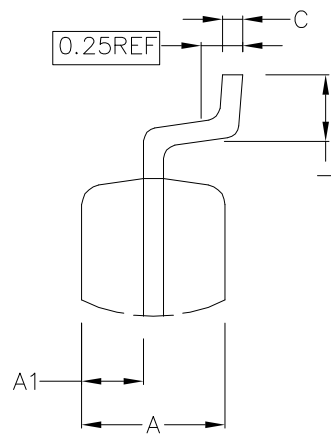
TOP VIEW



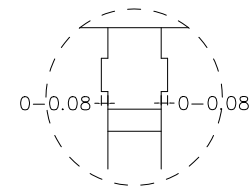
SIDE VIEW



SIDE VIEW



DETAIL F



DETAIL G

COMMON DIMENSIONS
(UNITS OF MEASURE IS mm)

	MIN	NORMAL	MAX
A	1.350	1.450	1.550
A1	0.600	0.650	0.700
A2	0.050	0.150	0.250
b	0.254 BSC		
C	0.203 BSC		
D	8.550	8.650	8.750
E	3.800	3.900	4.000
E1	5.800	6.000	6.200
L	0.450	0.600	0.750
L1	0.705 TYPE		
θ1	12° TYPE		
θ2	12° TYPE		
e	0.635 TYPE		
θ	0 ~ 8° TYPE		

				SCALE	1:1	UNIT	mm
THIRD ANGLE PROJECTION				APPROVALS			DATE
TOLERANCE				DESIGNER	ChenYJ	2021.07.06	
0	0.0	0.00	0.000	CHECKER	XieWH	2021.07.07	
				APPROVER	LinHB	2021.07.07	

深圳市金誉半导体股份有限公司
 SHENZHEN JINYU SEMICONDUCTOR CO.,LTD

SSOP24
0.635 pitch

DRG NO.	JY-POD-36	REV: B
FILE NO.	JY-RE-022-36	SHEET:1 OF 1